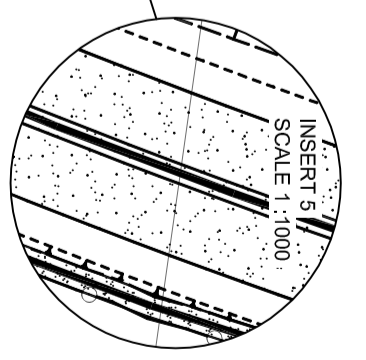
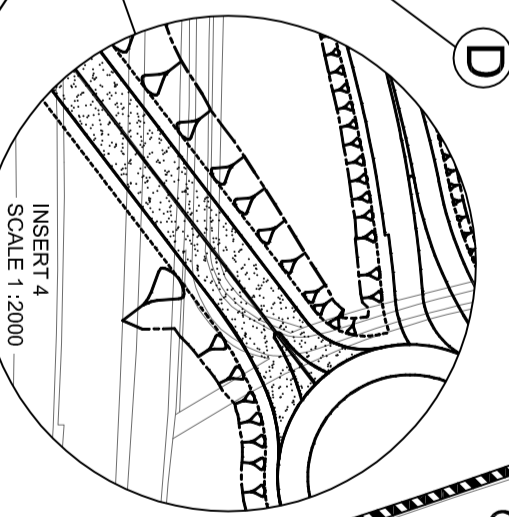
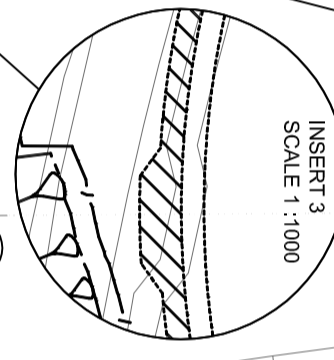
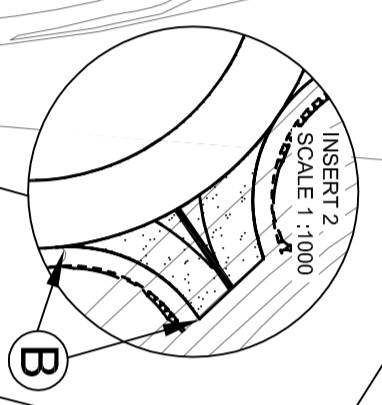
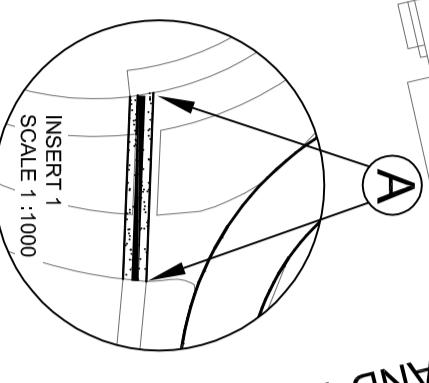
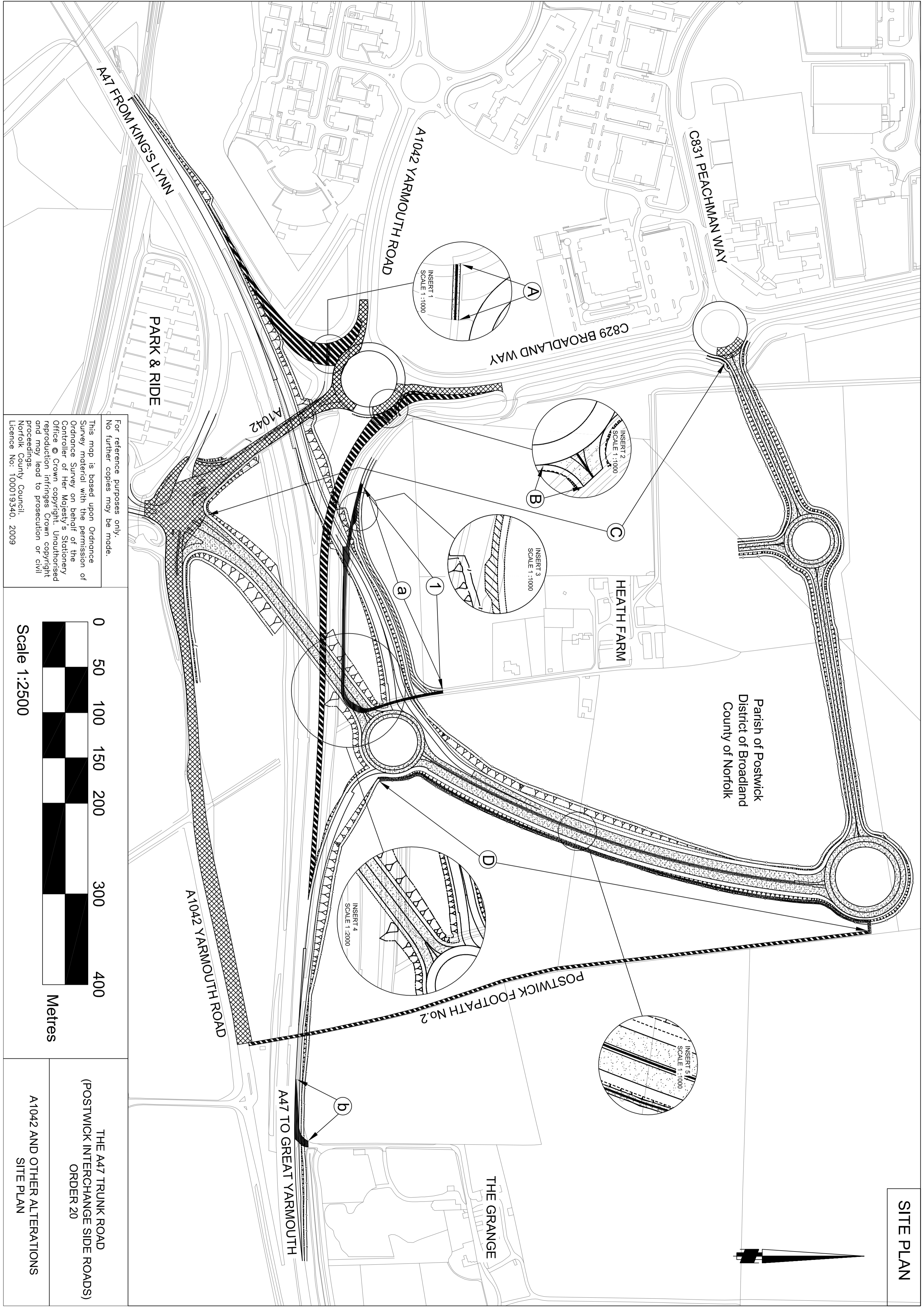
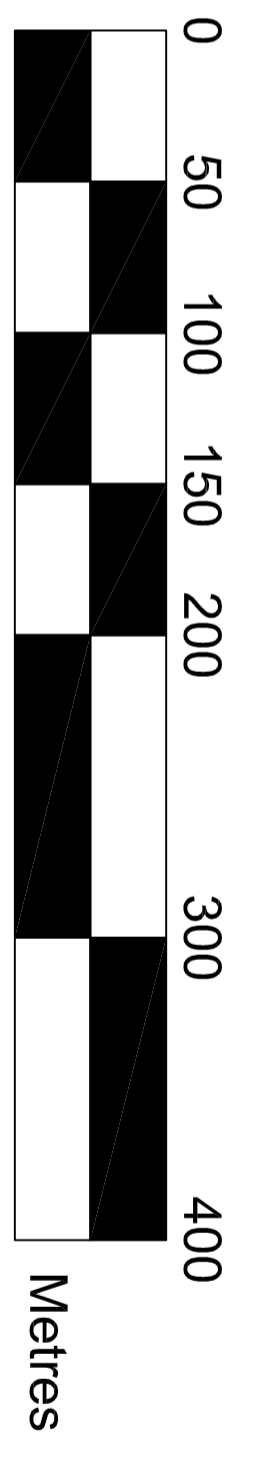


**SITE PLAN**



For reference purposes only.  
No further copies may be made.

This map is based upon Ordnance Survey material with the permission of the Controller of Her Majesty's Stationery Office. © Crown copyright. Unauthorised reproduction infringes Crown copyright and may lead to prosecution or civil proceedings.  
Norfolk County Council.  
Licence No: 100019340. 2009



Scale 1:2500

THE A47 TRUNK ROAD  
(POSTSWICK INTERCHANGE SIDE ROADS)  
ORDER 20

A1042 AND OTHER ALTERATIONS  
SITE PLAN